


# SPECIFIKACE / SPECIFICATION / SPEZIFIKATION

|   |  |
|---|--|
|  | <p><b>PMEC spol. s r.o.</b><br/>                 nám. Republiky 8, 787 01 Šumperk, Czech Republic<br/>                 Phone/Fax 00420 583 216 582<br/>                 www.pmec.cz info@pmec.cz</p> |
|---|--|

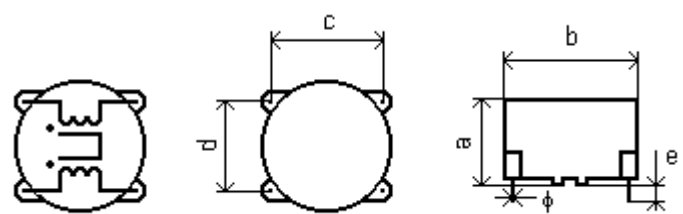
|  |                      |
|--|----------------------|
| TYPOVÉ OZNAČENÍ / ARTICLE NUMBER / ARTIKELNUMMER | DATUM / DATE / DATUM |
|--|----------------------|

|                             |                   |
|-----------------------------|-------------------|
| <b>PMEC 101/H 10m 0,7 A</b> | <b>2010-09-23</b> |
|-----------------------------|-------------------|

|                                   |  |
|-----------------------------------|--|
| POPIS / DESCRIPTION / BEZEICHNUNG |  |
|-----------------------------------|--|

|  |   |
|--|---|
| <p><b>Proudově kompenzované odrušovací tlumivky</b><br/> <b>Current-compensated noise suppression chokes</b><br/> <b>Stromkompensierte Funkentstördrosseln</b></p> |  |
|--|---|

|  |
|--|
| ROZMĚRY (ZDOLA) / DIMENSIONS (FROM BELLOW) / ABMESSUNGEN (VON UNTEN) |
|--|

|  |  |    |                 |    |   |                 |    |   |                  |    |   |                  |    |   |                 |    |   |  |    |   |  |    |   |                      |    |
|--|--|----|-----------------|----|---|-----------------|----|---|------------------|----|---|------------------|----|---|-----------------|----|---|--|----|---|--|----|---|----------------------|----|
|  | <table border="1" style="width: 100%; border-collapse: collapse;"> <tr><td>a</td><td><b>13,0 max</b></td><td>mm</td></tr> <tr><td>b</td><td><b>18,0 max</b></td><td>mm</td></tr> <tr><td>c</td><td><b>15,0 ±0,2</b></td><td>mm</td></tr> <tr><td>d</td><td><b>10,0 ±0,2</b></td><td>mm</td></tr> <tr><td>e</td><td><b>3,0 ±0,5</b></td><td>mm</td></tr> <tr><td>f</td><td></td><td>mm</td></tr> <tr><td>g</td><td></td><td>mm</td></tr> <tr><td>φ</td><td><b>0,6 x 0,6 typ</b></td><td>mm</td></tr> </table> | a  | <b>13,0 max</b> | mm | b | <b>18,0 max</b> | mm | c | <b>15,0 ±0,2</b> | mm | d | <b>10,0 ±0,2</b> | mm | e | <b>3,0 ±0,5</b> | mm | f |  | mm | g |  | mm | φ | <b>0,6 x 0,6 typ</b> | mm |
| a  | <b>13,0 max</b>  | mm |                 |    |   |                 |    |   |                  |    |   |                  |    |   |                 |    |   |  |    |   |  |    |   |                      |    |
| b  | <b>18,0 max</b>  | mm |                 |    |   |                 |    |   |                  |    |   |                  |    |   |                 |    |   |  |    |   |  |    |   |                      |    |
| c  | <b>15,0 ±0,2</b>   | mm |                 |    |   |                 |    |   |                  |    |   |                  |    |   |                 |    |   |  |    |   |  |    |   |                      |    |
| d  | <b>10,0 ±0,2</b>   | mm |                 |    |   |                 |    |   |                  |    |   |                  |    |   |                 |    |   |  |    |   |  |    |   |                      |    |
| e  | <b>3,0 ±0,5</b>  | mm |                 |    |   |                 |    |   |                  |    |   |                  |    |   |                 |    |   |  |    |   |  |    |   |                      |    |
| f  |  | mm |                 |    |   |                 |    |   |                  |    |   |                  |    |   |                 |    |   |  |    |   |  |    |   |                      |    |
| g  |  | mm |                 |    |   |                 |    |   |                  |    |   |                  |    |   |                 |    |   |  |    |   |  |    |   |                      |    |
| φ  | <b>0,6 x 0,6 typ</b>   | mm |                 |    |   |                 |    |   |                  |    |   |                  |    |   |                 |    |   |  |    |   |  |    |   |                      |    |

|   |
|---|
| ELEKTRICKÉ VLASTNOSTI / ELECTRICAL PROPERTIES / ELEKTRISCHE EIGENSCHAFTEN |
|---|

|   |                      |                       |            |           |                |
|---|----------------------|-----------------------|------------|-----------|----------------|
| MĚŘICÍ PODMÍNKY<br>TEST CONDITIONS<br>MESSBEDINGUNGEN | 10 kHz, 50 mV, 25 °C | <b>L<sub>o</sub></b>  | <b>10</b>  | <b>mH</b> | <b>-30+40%</b> |
|   | < 60 °C              | <b>I<sub>N</sub></b>  | <b>0,7</b> | <b>A</b>  | <b>max</b>     |
|   | 25 °C                | <b>R<sub>DC</sub></b> | <b>400</b> | <b>mΩ</b> | <b>typ</b>     |

|   |  |
|---|--|
| JINÉ VLASTNOSTI / OTHER PROPERTIES / ANDERE EIGENSCHAFTEN |  |
|---|--|

|                            |                                 |   |                                   |   |
|----------------------------|---------------------------------|---|-----------------------------------|---|
| JÁDRO<br>CORE<br>KERN      | <b>Ferit / Ferrite / Ferrit</b> | KLIMATICKÁ ODOLNOST<br>CLIMATIC CATEGORY<br>KLIMABESTÄNDIGKEIT  | <b>40/125/21</b>                  | SCHVÁLENO<br>APPROVED<br>KONTROLLIERT   |
| POUZDRO<br>CASE<br>GEHÄUSE | <b>UL94V-0</b>                  | ZKUŠEBNÍ NAPĚTÍ<br>TESTING VOLTAGE<br>PRÜFSPANNUNG              | <b>1500 V<sub>ef</sub>, 50 Hz</b> |  |
| ZALITÍ<br>RESIN<br>VERGUß  | <b>UL94V-0</b>                  | JMENOVITÉ NAPĚTÍ<br>RATED VOLTAGE<br>NENNSPANNUNG               | <b>250 V<sub>ef</sub>, 50 Hz</b>  |   |
| DRÁT<br>WIRE<br>DRAHT      | <b>UL94V-0</b>                  | OTEPLENÍ<br>OVERTEMPERATURE<br>ÜBERTEMPERATUR                   | <b>&lt; 55 °C</b>                 |   |
|                            |                                 | IZOLAČNÍ ODPOR<br>INSULATING RESISTANCE<br>ISOLATIONSWIDERSTAND | <b>50 MΩ, 500 V<sub>DC</sub></b>  |   |

THE CHOKES ARE DESIGNED AND TESTED IN ACCORDANCE WITH EN 60938-1.  
 THE CASES ARE OF FLAME-RETARDANT PLASTIC MATERIAL IN ACCORDANCE WITH UL 94V-0.