


SPECIFIKACE / SPECIFICATION / SPEZIFIKATION

| | |
|---|--|
|     | <p>PMEC spol. s r.o. nám. Republiky 8, 787 01 Šumperk, Czech Republic Phone/Fax 00420 583 216 582 www.pmec.cz info@pmec.cz</p> |
|---|--|

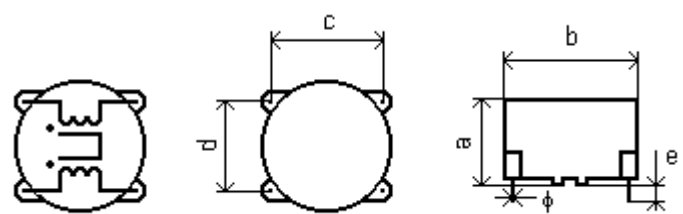
| | |
|--|----------------------|
| TYPOVÉ OZNAČENÍ / ARTICLE NUMBER / ARTIKELNUMMER | DATUM / DATE / DATUM |
|--|----------------------|

| | |
|-----------------------------|-------------------|
| PMEC 101/H 2m2 2,0 A | 2010-09-23 |
|-----------------------------|-------------------|

| | |
|-----------------------------------|--|
| POPIS / DESCRIPTION / BEZEICHNUNG | |
|-----------------------------------|--|

| | |
|--|---|
| <p>Proudově kompenzované odrušovací tlumivky Current-compensated noise suppression chokes Stromkompensierte Funkentstördrosseln</p> |  |
|--|---|

| |
|--|
| ROZMĚRY (ZDOLA) / DIMENSIONS (FROM BELLOW) / ABMESSUNGEN (VON UNTEN) |
|--|

| | | | | | | | | | | | | | | | | | | | | | | | | | |
|--|--|----|-----------------|----|---|-----------------|----|---|------------------|----|---|------------------|----|---|-----------------|----|---|--|----|---|--|----|---|----------------------|----|
|  | <table border="1" style="width: 100%; border-collapse: collapse;"> <tr><td>a</td><td>13,0 max</td><td>mm</td></tr> <tr><td>b</td><td>18,0 max</td><td>mm</td></tr> <tr><td>c</td><td>15,0 ±0,2</td><td>mm</td></tr> <tr><td>d</td><td>10,0 ±0,2</td><td>mm</td></tr> <tr><td>e</td><td>3,0 ±0,5</td><td>mm</td></tr> <tr><td>f</td><td></td><td>mm</td></tr> <tr><td>g</td><td></td><td>mm</td></tr> <tr><td>φ</td><td>0,6 x 0,6 typ</td><td>mm</td></tr> </table> | a | 13,0 max | mm | b | 18,0 max | mm | c | 15,0 ±0,2 | mm | d | 10,0 ±0,2 | mm | e | 3,0 ±0,5 | mm | f | | mm | g | | mm | φ | 0,6 x 0,6 typ | mm |
| a | 13,0 max | mm | | | | | | | | | | | | | | | | | | | | | | | |
| b | 18,0 max | mm | | | | | | | | | | | | | | | | | | | | | | | |
| c | 15,0 ±0,2 | mm | | | | | | | | | | | | | | | | | | | | | | | |
| d | 10,0 ±0,2 | mm | | | | | | | | | | | | | | | | | | | | | | | |
| e | 3,0 ±0,5 | mm | | | | | | | | | | | | | | | | | | | | | | | |
| f | | mm | | | | | | | | | | | | | | | | | | | | | | | |
| g | | mm | | | | | | | | | | | | | | | | | | | | | | | |
| φ | 0,6 x 0,6 typ | mm | | | | | | | | | | | | | | | | | | | | | | | |

| |
|---|
| ELEKTRICKÉ VLASTNOSTI / ELECTRICAL PROPERTIES / ELEKTRISCHE EIGENSCHAFTEN |
|---|

| | | | | | |
|---|----------------------|-----------------------|------------|-----------|----------------|
| MĚŘICÍ PODMÍNKY TEST CONDITIONS MESSBEDINGUNGEN | 10 kHz, 50 mV, 25 °C | L_o | 2,2 | mH | -30+40% |
| | < 60 °C | I_N | 2,0 | A | max |
| | 25 °C | R_{DC} | 85 | mΩ | typ |
| | | | | | |

| | |
|---|---------------------------------------|
| JINÉ VLASTNOSTI / OTHER PROPERTIES / ANDERE EIGENSCHAFTEN | SCHVÁLENO APPROVED KONTROLLIERT |
|---|---------------------------------------|

| | | | | |
|----------------------------|---------------------------------|---|-----------------------------------|---|
| JÁDRO CORE KERN | Ferit / Ferrite / Ferrit | KLIMATICKÁ ODOLNOST CLIMATIC CATEGORY KLIMABESTÄNDIGKEIT | 40/125/21 |  |
| POUZDRO CASE GEHÄUSE | UL94V-0 | ZKUŠEBNÍ NAPĚTÍ TESTING VOLTAGE PRÜFSPANNUNG | 1500 V_{ef}, 50 Hz | |
| ZALITÍ RESIN VERGUß | UL94V-0 | JMENOVITÉ NAPĚTÍ RATED VOLTAGE NENNSPANNUNG | 250 V_{ef}, 50 Hz | |
| DRÁT WIRE DRAHT | UL94V-0 | OTEPLENÍ OVERTEMPERATURE ÜBERTEMPERATUR | < 55 °C | |
| | | IZOLAČNÍ ODPOR INSULATING RESISTANCE ISOLATIONSWIDERSTAND | 50 MΩ, 500 V_{DC} | |

THE CHOKES ARE DESIGNED AND TESTED IN ACCORDANCE WITH EN 60938-1.
 THE CASES ARE OF FLAME-RETARDANT PLASTIC MATERIAL IN ACCORDANCE WITH UL 94V-0.