


SPECIFIKACE / SPECIFICATION / SPEZIFIKATION

| | |
|---|--|
|     | <p>PMEC spol. s r.o. nám. Republiky 8, 787 01 Šumperk, Czech Republic Phone 00420 583 216 582 www.pmec.cz info@pmec.cz</p> |
|---|--|

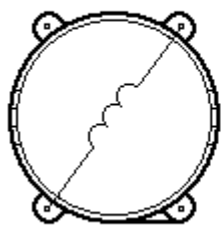
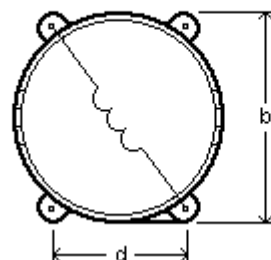
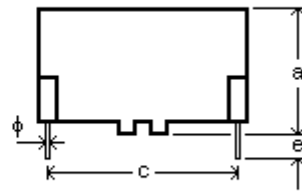
| | |
|--|----------------------|
| TYPOVÉ OZNAČENÍ / ARTICLE NUMBER / ARTIKELNUMMER | DATUM / DATE / DATUM |
|--|----------------------|

| | |
|-----------------------------|-------------------|
| PMEC 322/H 50u 3,5 A | 2010-08-23 |
|-----------------------------|-------------------|

| | |
|-----------------------------------|--|
| POPIS / DESCRIPTION / BEZEICHNUNG | |
|-----------------------------------|--|

| | |
|--|---|
| Akumulační tlumivky Storage chokes Speicherdrosseln |  |
|--|---|


| |
|--|
| ROZMĚRY (ZDOLA) / DIMENSIONS (FROM BELLOW) / ABMESSUNGEN (VON UNTEN) |
|--|

| | | | | | |
|--|--|---|---|----------------------|----|
| /H | /Hr | | | | |
|  |  |  | a | 14,5 max | mm |
| | | | b | 23,0 max | mm |
| | | | c | 20,0 ±0,2 | mm |
| | | | d | 12,5 ±0,2 | mm |
| | | | e | 3,0 ±0,5 | mm |
| | | | f | | mm |
| | | | g | | mm |
| | | | φ | 0,6 x 0,6 typ | mm |

| |
|---|
| ELEKTRICKÉ VLASTNOSTI / ELECTRICAL PROPERTIES / ELEKTRISCHE EIGENSCHAFTEN |
|---|

| | | | | | |
|---|----------------------|-----------------------|------------|-----------|---------------|
| MĚŘICÍ PODMÍNKY TEST CONDITIONS MESSBEDINGUNGEN | 10 kHz, 50 mV, 25 °C | L_o | 50 | μH | ± 20 % |
| | | I_N | 3,5 | A | max |
| | 25 °C | R_{DC} | 40 | mΩ | typ |
| | | | | | |

| | | | | | |
|---|--|--|--|---------------------------------------|--|
| JINÉ VLASTNOSTI / OTHER PROPERTIES / ANDERE EIGENSCHAFTEN | | | | SCHVÁLENO APPROVED KONTROLLIERT | |
|---|--|--|--|---------------------------------------|--|

| | | | | | |
|----------------------------|----------------|---|----------------------------------|---|--|
| JÁDRO CORE KERN | Sendust | KLIMATICKÁ ODOLNOST CLIMATIC CATEGORY KLIMABESTÄNDIGKEIT | 40/125/21 |  | |
| POUZDRO CASE GEHÄUSE | UL94V-0 | ZKUŠEBNÍ NAPĚTÍ TESTING VOLTAGE PRÜFSPANNUNG | | | |
| ZALITÍ RESIN VERGUß | UL94V-0 | JMENOVITÉ NAPĚTÍ RATED VOLTAGE NENNSPANNUNG | | | |
| DRÁT WIRE DRAHT | UL94V-0 | OTEPLENÍ OVERTEMPERATURE ÜBERTEMPERATUR | < 55 °C | | |
| | | IZOLAČNÍ ODPOR INSULATING RESISTANCE ISOLATIONSWIDERSTAND | 50 MΩ, 500 V_{DC} | | |

THE CHOKES ARE DESIGNED AND TESTED IN ACCORDANCE WITH EN 60938-1.
 THE CASES ARE OF FLAME-RETARDANT PLASTIC MATERIAL IN ACCORDANCE WITH UL 94V-0.